



Power over Ethernet

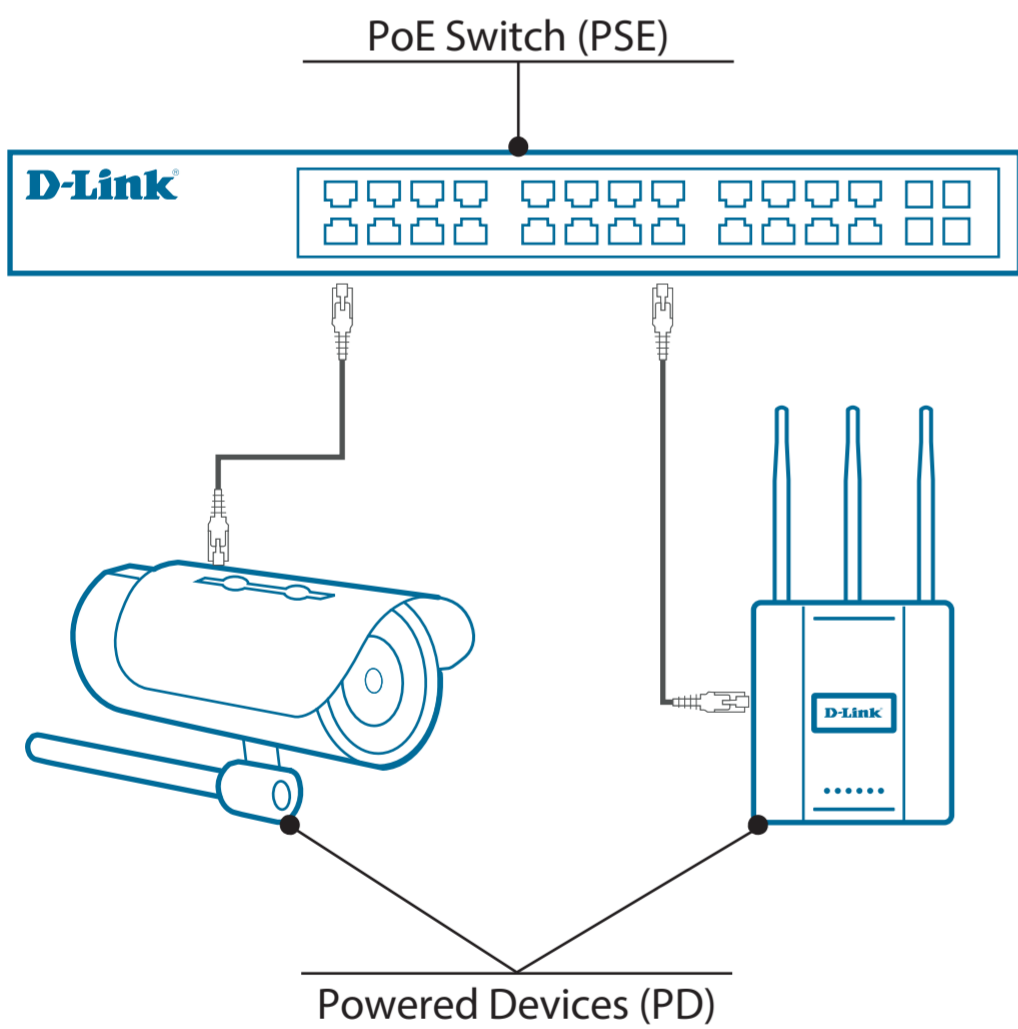
PoE technology allows PSE (Power Sourcing Equipment) to use a single twisted pair Ethernet cable to provide both data and electrical power to PDs (Powered Device) such as wireless access points, network cameras, IP phones, point-of-sale terminals, and other PoE compatible devices. The D-Link range includes over 50 PoE enabled switches, reaching up to 740 Watts per switch with a redundant power supply, making network device installation simpler, safer, and less expensive.

PoE Standards

| | PoE 802.3af | PoE+ 802.3at | PoE++ 802.3bt |
|----------------------------|----------------|-----------------|------------------|
| Maximum power per PSE port | 15.4W | 30W | 90W |
| Maximum power to PD | 12.95W | 25.5W | 71-90W |

Specifications

| Power Class | Max. power delivered by PSE | Power available at PD | PD Type | Standard |
|-------------|-----------------------------|-----------------------|---------|----------|
| 0 | 15.4 | 12.95 | 1 | 802.3af |
| 1 | 4 | 3.84 | 1 | |
| 2 | 7 | 6.49 | 1 | |
| 3 | 15.4 | 12.95 | 1 | 802.3at |
| 4 | 30 | 25.5 | 2 | |
| 5 | 45 | 40 | 3 | 802.3bt |
| 6 | 60 | 51 | 3 | |
| 7 | 75 | 62 | 4 | |
| 8 | 90 | 71 | 4 | |



| | | | |
|-----|--------------------------------|---------------|--------------|
| 15W | | | |
| | IP Camera | Wireless AP | IP Phone |
| 30W | | | |
| | Outdoor AP | PTZ IP Camera | Video Phones |
| 60W | | | |
| | Digital Signage | POS System | |
| 90W | | | |
| | PoE Connected Lighting Systems | | |

PoE up to 90W per port

| Model | Port Count | PoE Ports | PoE Budget | RPS |
|--------------------|----------------|----------------------------|------------|-----|
| Smart PoE Switches | | | | |
| DGS-1100-26MPP/C | 24 GE, 2 Combo | 20 (802.3at) & 4 (802.3bt) | 518W | - |
| DGS-1100-10MPP/C | 8 GE, 2 SFP | 6 (802.3at) & 2 (802.3bt) | 242W | - |

PoE up to 30W per port

| Model | Port Count | PoE Ports | PoE Budget | RPS |
|-------------------------|----------------------------|--|---------------------|-----------------------|
| Industrial PoE Switches | | | | |
| DIS-200G-12PS | 10 GE, 2 SFP | 8 (802.3at) | 240W | - |
| DIS-100G-5PSW | 4 GE, 1 SFP | 4 (802.3at) | 120W | - |
| Managed PoE Switches | | | | |
| DGS-3630-52PC | 44 GE, 4 Combo, 4 10G SFP+ | 48 (802.3at) | 370W (740 with RPS) | DPS-700 |
| DGS-3630-28PC | 20 GE, 4 Combo, 4 10G SFP+ | 24 (802.3at) | 370W (740 with RPS) | DPS-700 |
| DGS-3620-52P | 48 GE, 4 10G SFP+ | 48 (802.3at) | 370W (740 with RPS) | DPS-700 |
| DGS-3420-52P | 48 GE, 4 10G SFP+ | 48 (802.3at) | 370W (740 with RPS) | DPS-700 |
| DGS-3420-28PC | 20 GE, 4 Combo, 4 10G SFP+ | 24 (802.3at) | 370W (740 with RPS) | DPS-700 |
| DGS-3130-54PS | 48 GE, 2 10GE, 4 10G SFP+ | 48 (802.3at) | 370W (740 with RPS) | DPS-700 |
| DGS-3130-30PS | 24 GE, 2 10GE, 4 10G SFP+ | 24 (802.3at) | 370W (740 with RPS) | DPS-700 |
| DGS-3120-48PC | 44 GE, 4 Combo, 2 10G CX4 | 48 (802.3at) | 370W (740 with RPS) | DPS-700 |
| DGS-3000-28LP | 24 GE, 4 SFP | 24 (802.3at) | 193W | DPS-500A, DPS-500DC/B |
| DGS-3000-28XMP | 24 GE, 4 10G SFP+ | 24 (802.3at) | 370W | DPS-500A, DPS-500DC/B |
| DGS-1210-52MPP/ME | 48 GE, 4 SFP | 48 (802.3at) | 740W | - |
| DGS-1210-52MP/FL | 48 GE, 4 Combo | 48 (802.3at) | 370W | - |
| DGS-1210-52MP/ME | 48 GE, 4 SFP | 8 (802.3at) & 40 (802.3af) | 370W | - |
| DGS-1210-52P/ME | 48 GE, 4 SFP | 8 (802.3at) & 16 (802.3af) | 193W | - |
| DGS-1210-28MP/FL | 24 GE, 4 Combo | 24 (802.3at) | 370W | - |
| DGS-1210-28MP/ME | 24 GE, 4 SFP | 24 (802.3at) | 370W | - |
| DGS-1210-28P/FL | 24 GE, 4 Combo | 24 (802.3at) | 193W | - |
| DGS-1210-28P/ME | 24 GE, 4 SFP | 4 (802.3at) & 20 (802.3af) (rev. A1) 24 (802.3at) (rev. B1) | 193W | - |
| DGS-1210-10MP/FL | 8 GE, 2 SFP | 8 (802.3at) | 130W | - |
| DGS-1210-10P/ME | 8 GE, 2 SFP | 8 (802.3at) | 78W | - |
| DGS-1210-10P/FL | 8 GE, 2 SFP | 8 (802.3at) | 65W | - |

| Smart PoE Switches | | | | |
|--------------------|--------------------------|----------------------------|---------------------|---------|
| DGS-1510-52XMP | 48 GE, 4 10G SFP+ | 48 (802.3at) | 370W (740 with RPS) | DPS-700 |
| DGS-1510-28XMP | 24 GE, 4 10G SFP+ | 24 (802.3at) | 370W | - |
| DGS-1510-28P | 24 GE, 2 SFP, 2 10G SFP+ | 24 (802.3at) | 193W | - |
| DGS-1250-52XMP | 48 GE, 4 10G SFP+ | 48 (802.3at) | 370W | - |
| DGS-1250-28XMP | 24 GE, 4 10G SFP+ | 24 (802.3at) | 370W | - |
| DGS-1210-52MPP | 48 GE, 4 SFP | 48 (802.3at) | 740W | - |
| DGS-1210-52MP/F | 48 GE, 4 Combo | 48 (802.3at) | 370W | - |
| DGS-1210-28MP/F | 24 GE, 4 Combo | 24 (802.3at) | 370W | - |
| DGS-1210-28P/F | 24 GE, 4 Combo | 24 (802.3at) | 193W | - |
| DGS-1210-10MP/F | 8 GE, 2 SFP | 8 (802.3at) | 130W | - |
| DGS-1210-10P/F | 8 GE, 2 SFP | 8 (802.3at) | 65W | - |
| DES-1210-28P | 24 FE, 2 GE, 2 Combo | 4 (802.3at) & 20 (802.3af) | 193W | - |
| DGS-1100-26MP | 24 GE, 2 Combo | 24 (802.3at) | 370W | - |
| DGS-1100-24PV2 | 24 GE | 12 (802.3at) | 100W | - |
| DGS-1100-10MP | 8 GE, 2 SFP | 8 (802.3at) | 130W | - |
| DGS-1100-08PLV2 | 8 GE | 4 (802.3at) | 80W | - |
| DGS-1100-08P/B1 | 8 GE | 8 (802.3at) | 64W | - |

| Multi-Gigabit PoE Switch | | | | |
|--------------------------|---------------------|-------------|------|---|
| DMS-1100-10TP | 8 2.5GE, 2 10G SFP+ | 8 (802.3at) | 240W | - |

| Unmanaged Surveillance Switches with Long Range 250m PoE | | | | |
|--|----------------------|--------------|------|---|
| DSS-100E-18P | 16 FE, 1 GE, 1 Combo | 16 (802.3at) | 230W | - |
| DSS-100E-9P | 8 FE, 1 GE | 8 (802.3at) | 92W | - |

| Unmanaged PoE Switches | | | | |
|------------------------|----------------|--------------|------|---|
| DGS-1026MP | 24 GE, 2 Combo | 24 (802.3at) | 370W | - |
| DGS-1010MP | 9 GE, 1 SFP | 8 (802.3at) | 125W | - |
| DGS-1008MP | 8 GE | 8 (802.3at) | 125W | - |
| DGS-1008P/E | 8 GE | 4 (802.3at) | 80W | - |
| DGS-1005P | 5 GE | 4 (802.3at) | 60W | - |
| DES-1009MP | 1GE, 8 FE | 8 (802.3at) | 117W | - |
| DES-1005P | 5 FE | 4 (802.3at) | 60W | - |

PoE up to 15.4W per port

| Model | Port Count | PoE Ports | PoE Budget | RPS |
|------------------------|-------------------------|--------------|------------|-----|
| Managed PoE Switches | | | | |
| DGS-3610-50P | 44 GE, 4 Combo, 2 Slots | 48 (802.3af) | 370W | - |
| Smart PoE Switches | | | | |
| DES-1210-08P | 8 FE | 8 (802.3af) | 72W | - |
| DGS-1100-05PD | 5 GE | 2 (802.3af) | 18W | - |
| Unmanaged PoE Switches | | | | |
| DES-1008P | 8 FE | 4 (802.3af) | 52W | - |